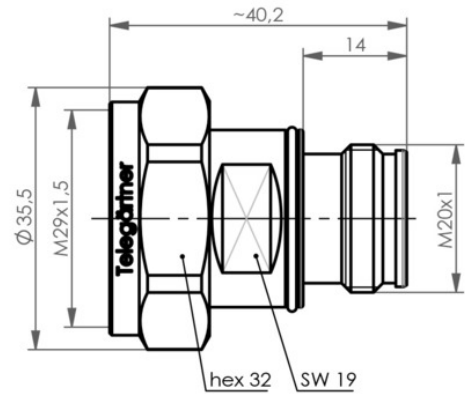


order number: J01122C0017

Adapter 7-16 - 4.3-10, m-f



Technical Attributes	
Remarks	m-f
Return Loss	typ.: 3 GHz-40 dB; 6 GHz-30 dB